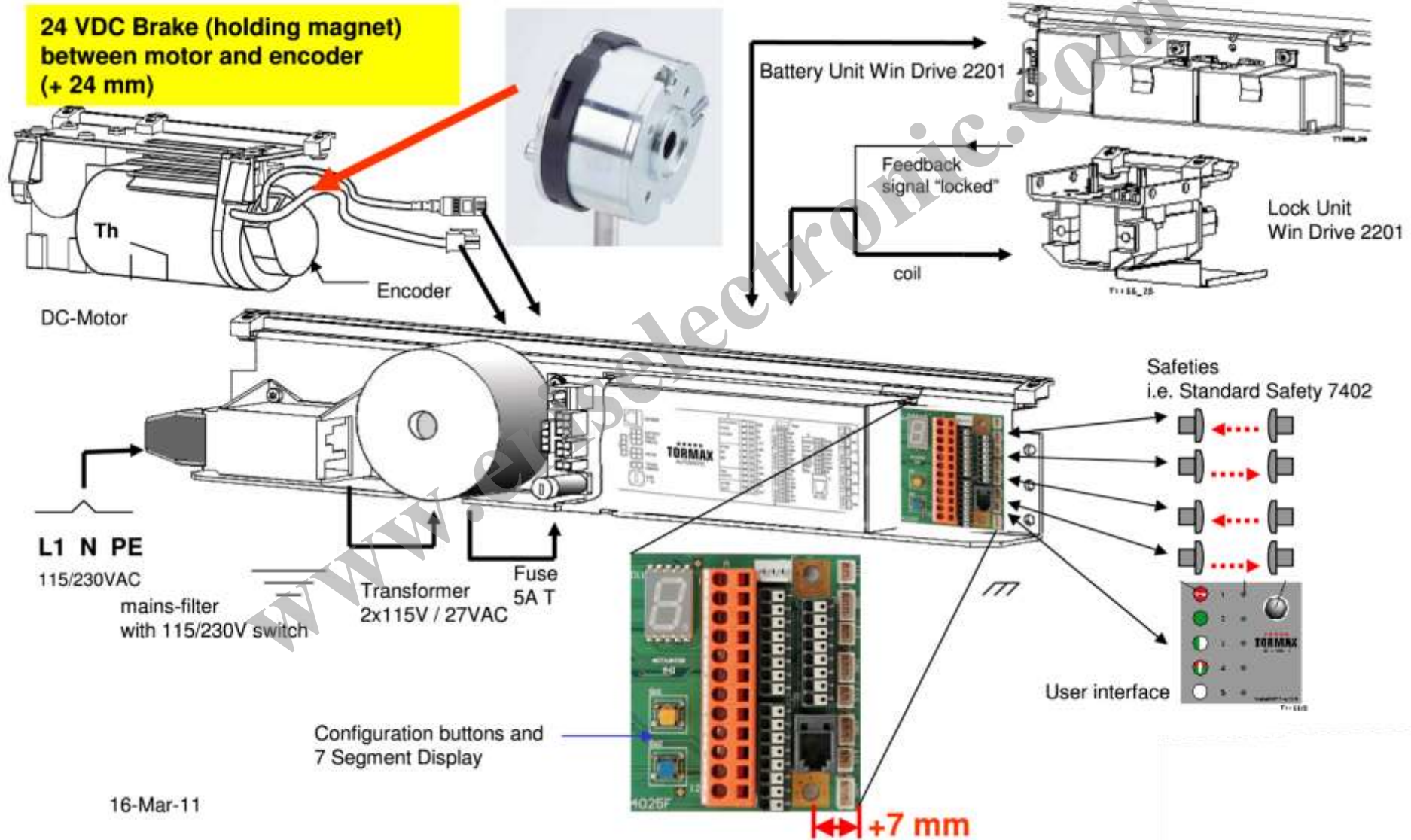




www.eriselectronic.com

0912-069-1593

System diagram Win Drive 2201 with new HW from Firmware Version 05.xx

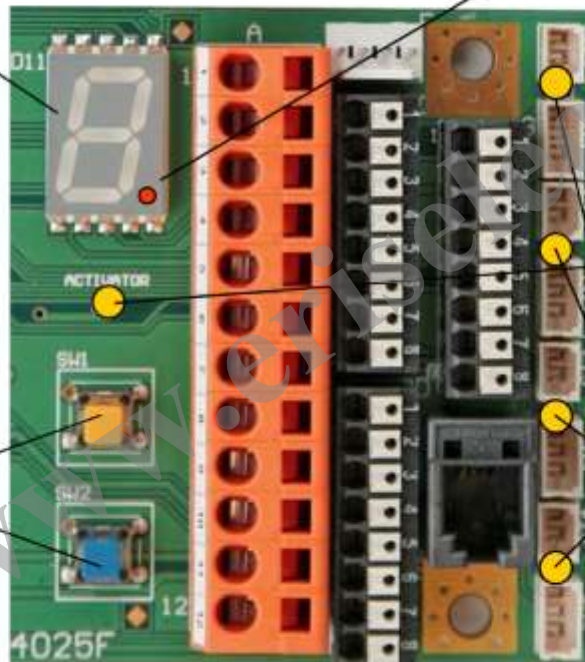


Display and Configuration elements

7-Segment Display

- Commissioning
- Configuration
- Fault display

Configuration buttons



Point LED

Is on if 24 V Supply is available.

Is off if 24 V is overload or not available (Voltage <17V).

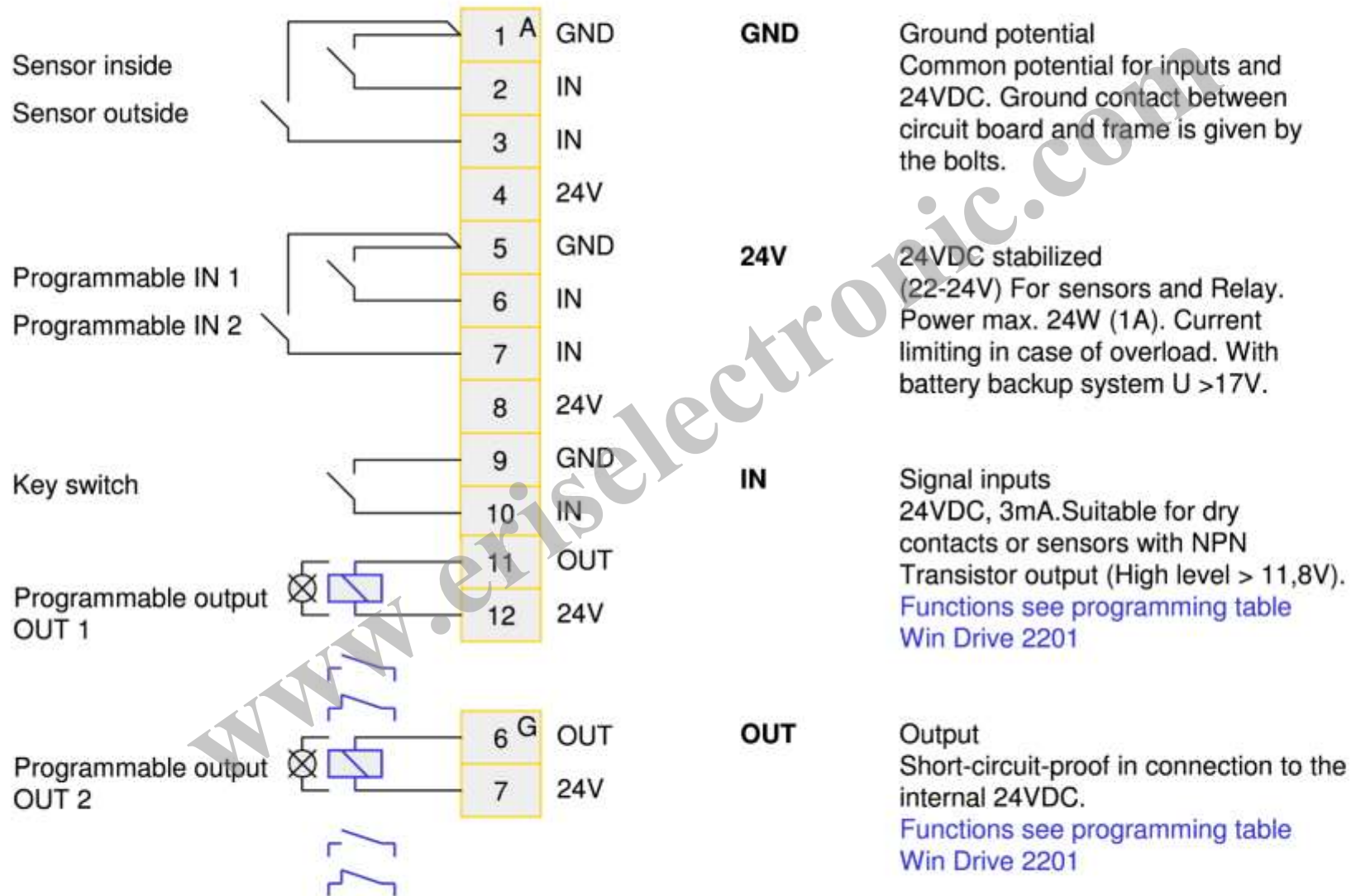
LED „ACTIVATOR“

Is on if activator-inside, -outside or keyswitch is active.

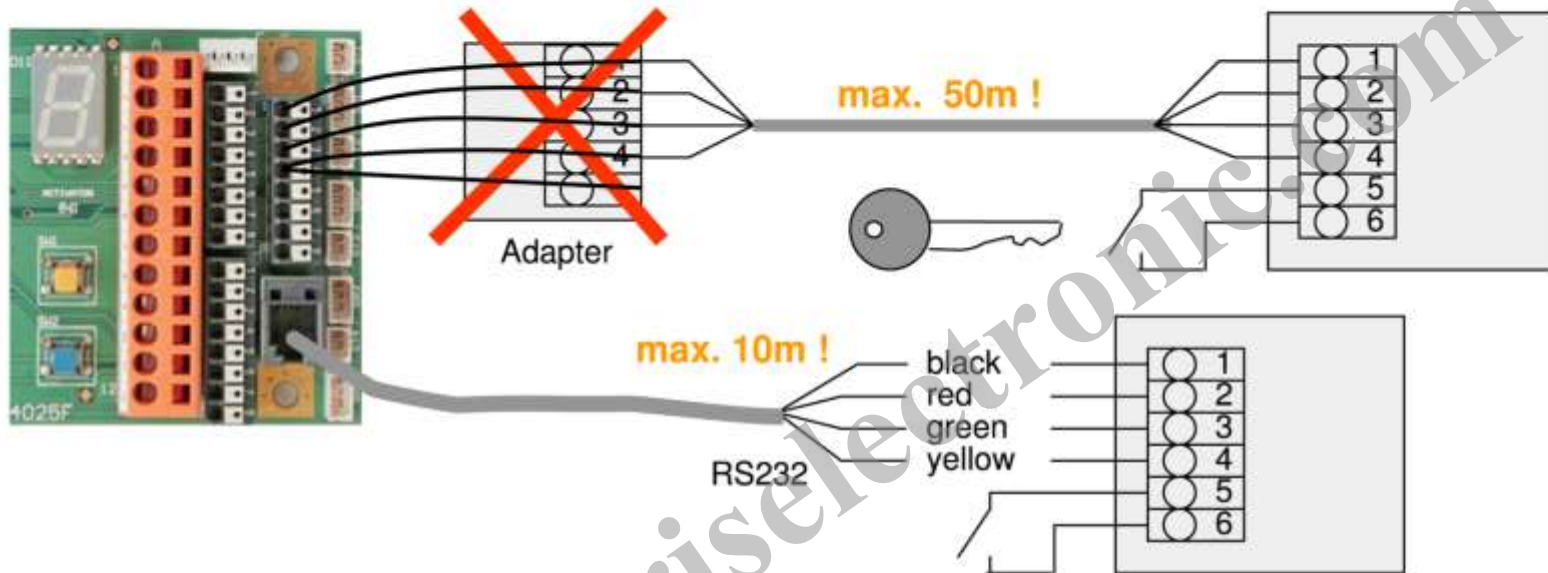
LED „SAFETY“

Is off if the safety detects something or if broken.

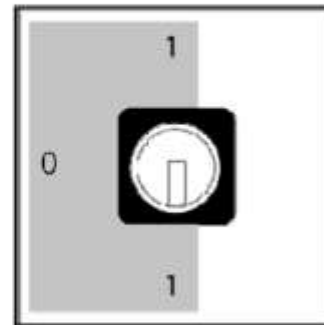
Terminal Connections Win Drive



User interface Win Drive 2201

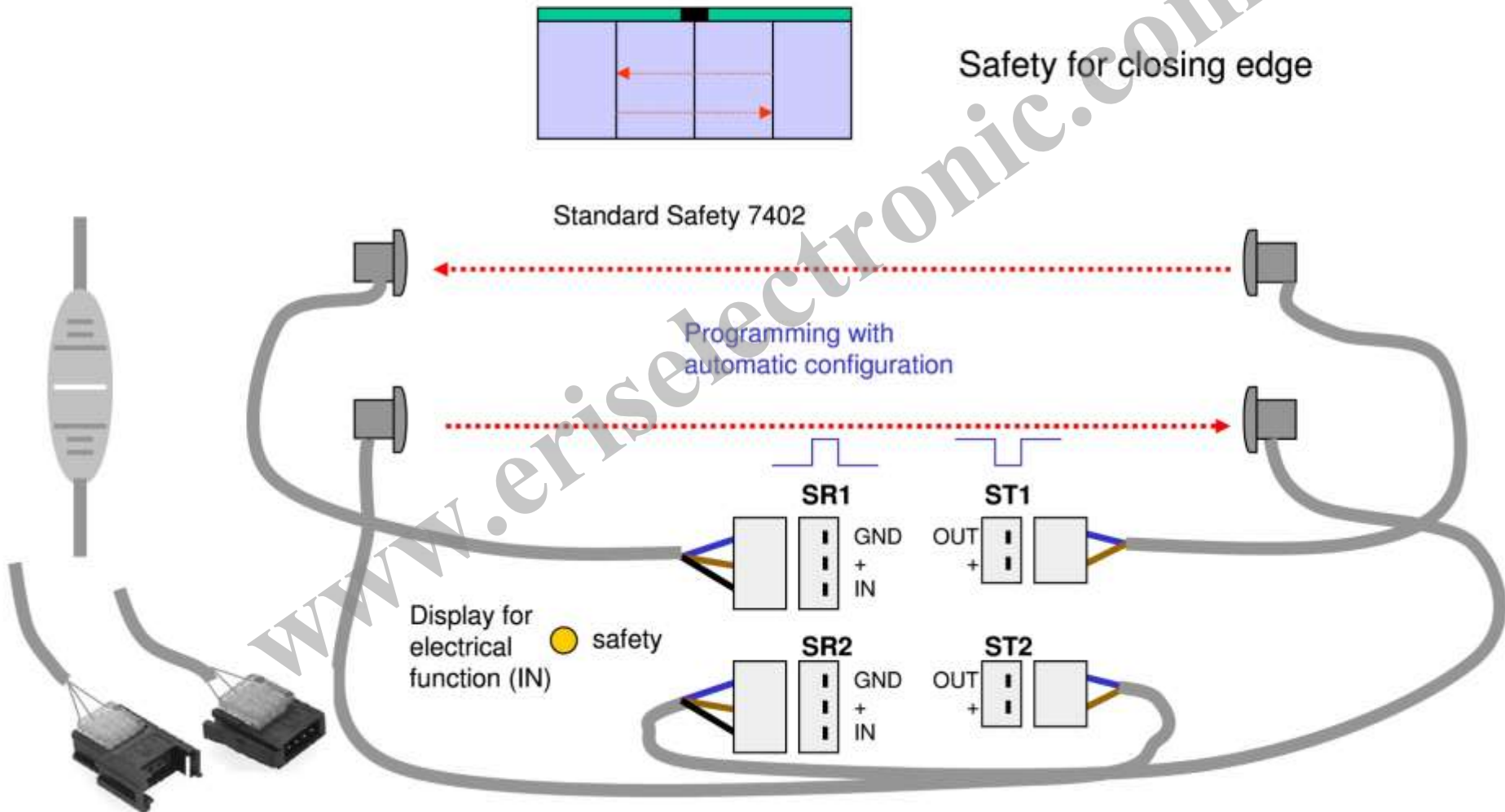


- OFF
- AUTOMATIC
- AUTO REDUCED
- EXIT
- OPEN

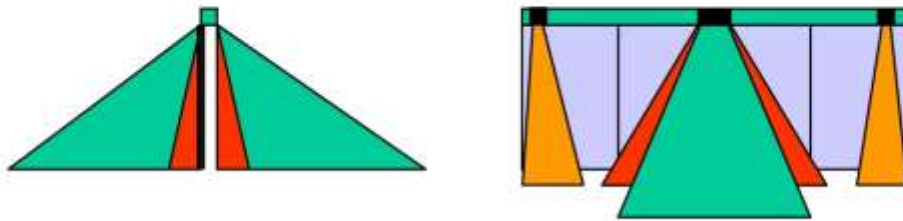


Find the suitable frames and mounting plates in the price list Chapter 19.3

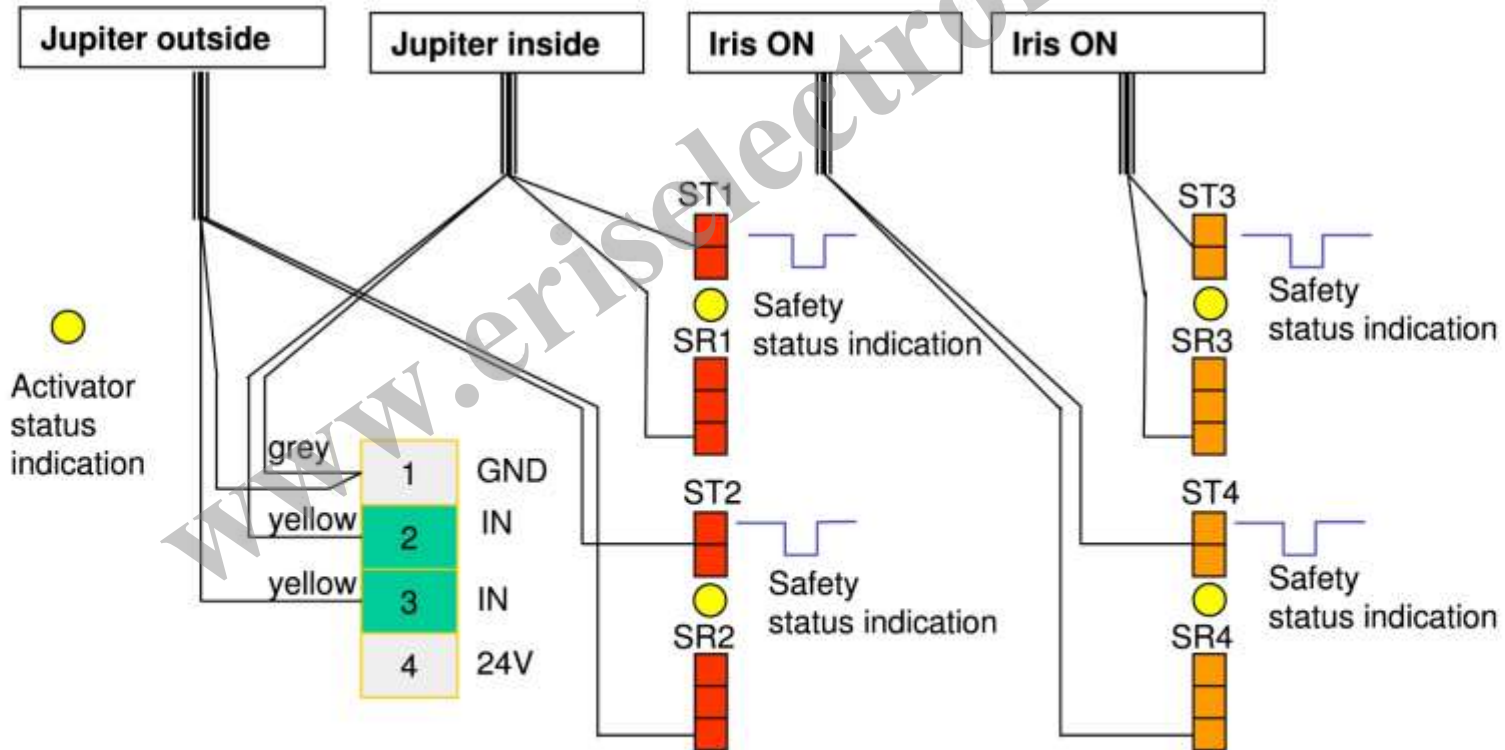
Light beam



Connections for IR-Curtains



Activator inside and outside with safety-curtain for closing and opening.
 On opening: stop or creeping
 On closing: creeping or reopen



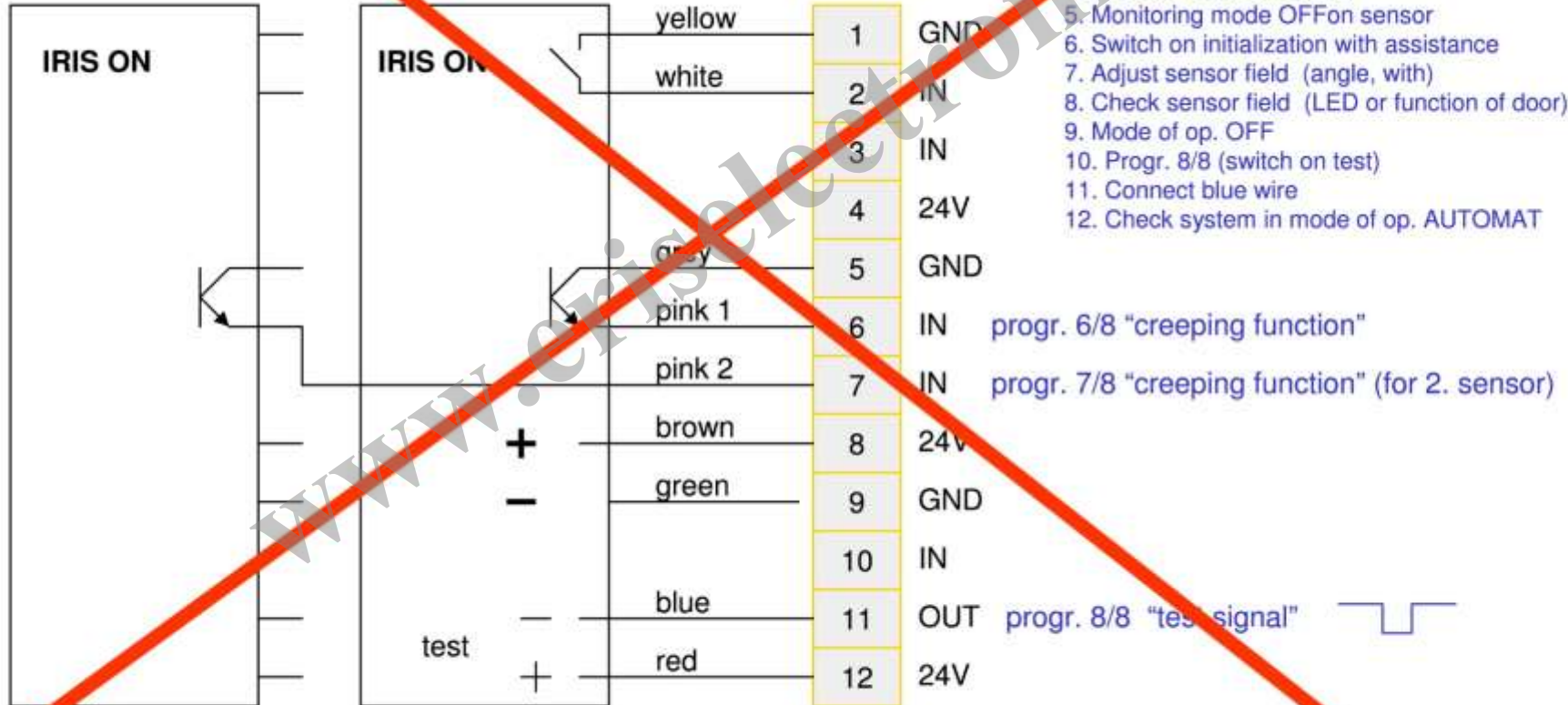
Connection for IRIS ON

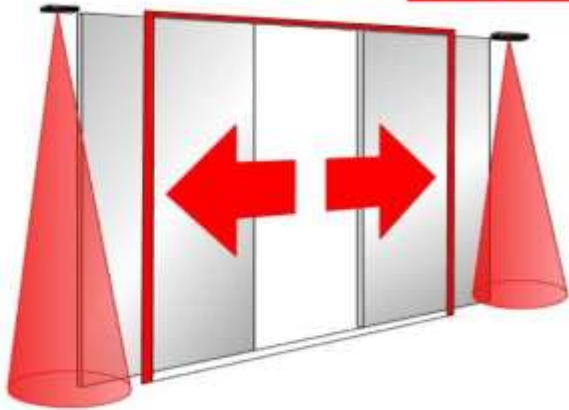
Safety for opening edge



Commissioning Sensor

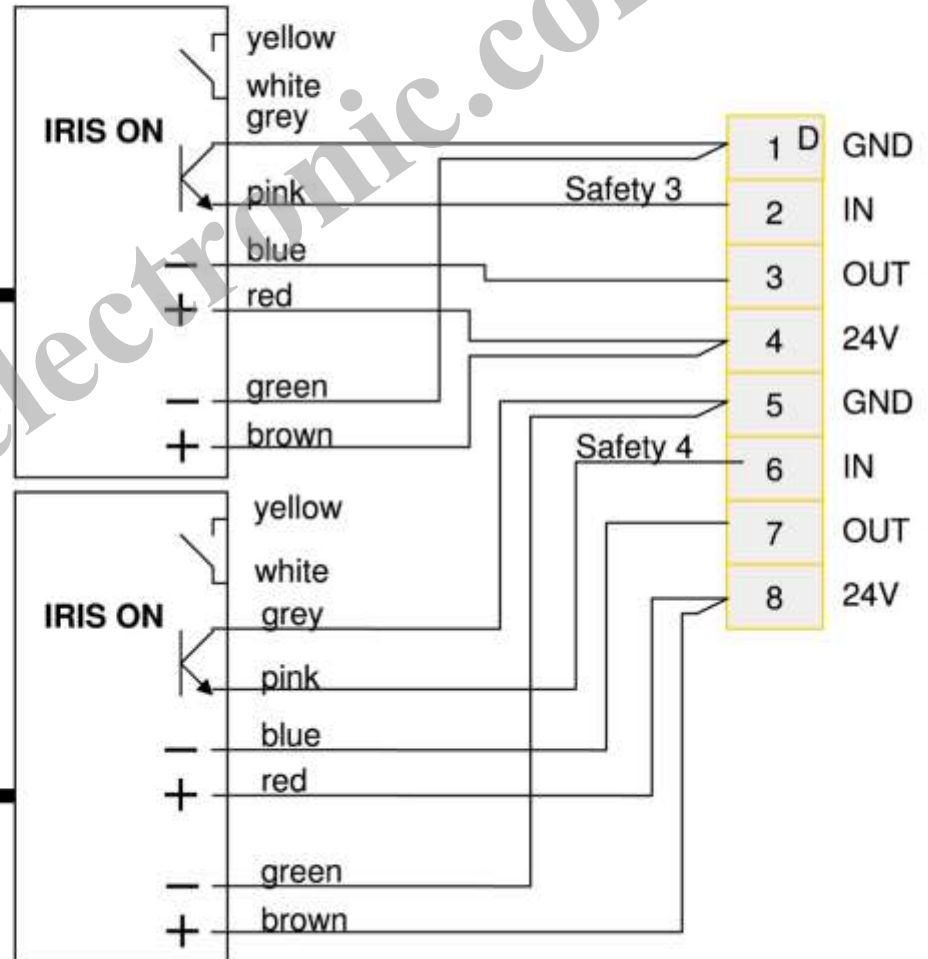
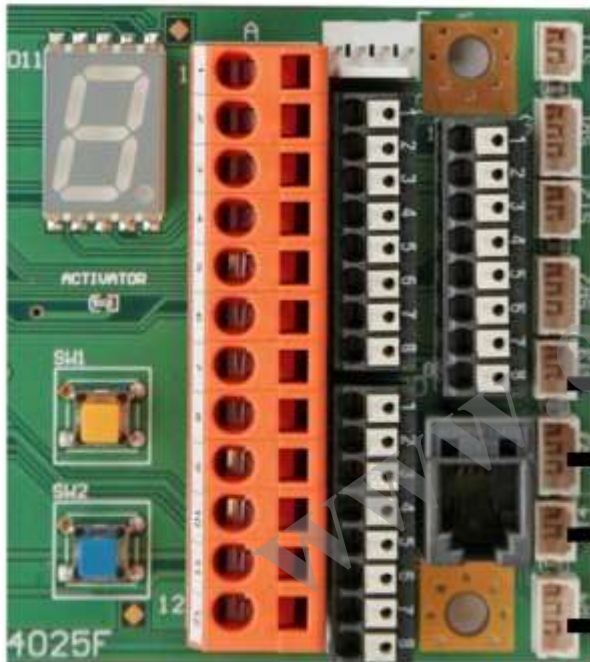
1. Progr. 8/6, 7/8 und 8/0 (test switched off)
2. Mode AUTOMAT
3. Disconnect blue wire
4. Factory Reset on sensor
5. Monitoring mode OFF on sensor
6. Switch on initialization with assistance
7. Adjust sensor field (angle, with)
8. Check sensor field (LED or function of door)
9. Mode of op. OFF
10. Progr. 8/8 (switch on test)
11. Connect blue wire
12. Check system in mode of op. AUTOMAT





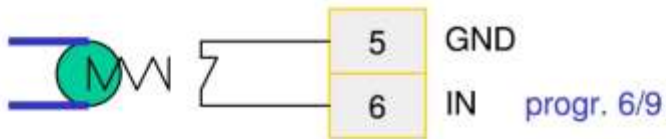
Connection for IRIS ON

Safety for opening edge

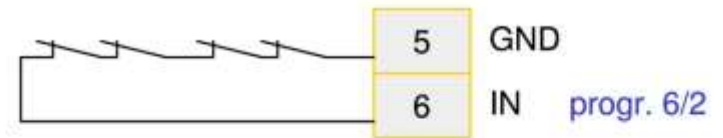
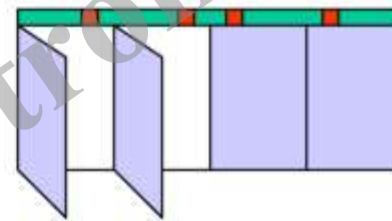


Connections for options (1)

Emergency open monitoring



Break-out

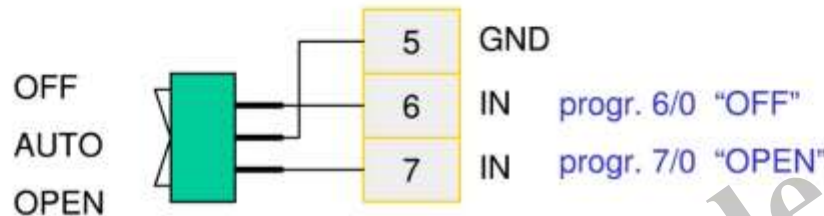


Bell

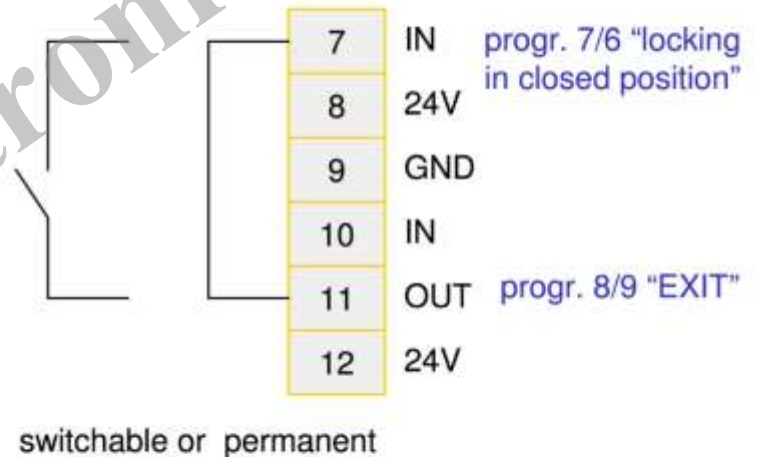


Connection for options (2)

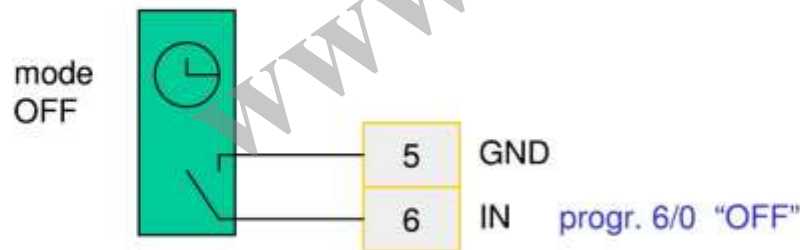
3-Position switch



Door lock in EXIT



Clock timer



Media Database

Other Media

All Processes ⇒ Sliding Door ⇒ Win Drive 2201

Dokument	T-Nr.	Download Language Fileformat V. Document V. Firmware
----------	-------	---

System Test Book

Instructions

Connection Drawing

Connection Drawing | Control Unit

T-1403

Language selection dropdown menu showing options: French | PDF | T.11 | V05.xx and German | PDF | 10.10 | V05.xx

Application

Specification Text

Installation On Site

Installation On Site

T-1394

Operating Instructions

Brochure

Declaration of Inc...

Fault Table

Form

Commissioning

Commissioning

T-1403 e	Connection Diagram Control Unit 2201	<p>★★★★★ TORMAX AUTOMATIC</p> <p>TORMAX CH-3100 Bülach www.tormax.com info@tormax.com</p>
Area of application	Win Drive 2201, 2201.FRW Sliding Door Drive from V05.xx	
Release	16 December 2010	
Use	Planning, installation, commissioning, maintenance	

Terminal Allocation

The functions on the inputs "IN1-2", the outputs "OUT1-2" and "S1-4" are programmable.

Media Database

Photos

Other Media

New / revised documents

Downloads

Online Shop

Product Support

Connect

Marketing

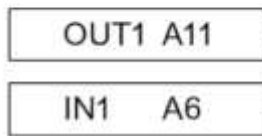
Group Companies

TORMAX Automatic Door Systems

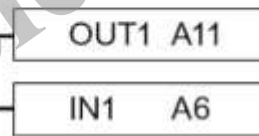
T-1499 e	Application Air Lock	★★★★★ TORMAX AUTOMATIC TORMAX CH-8180 Bülach www.tormax.com info@tormax.com
Area of application	Win Drive 2201 Sling Door Drive ab V 05.xx	
Release	21. January 2011	
Use	Planning, installation, commissioning, maintenance	

Air lock function

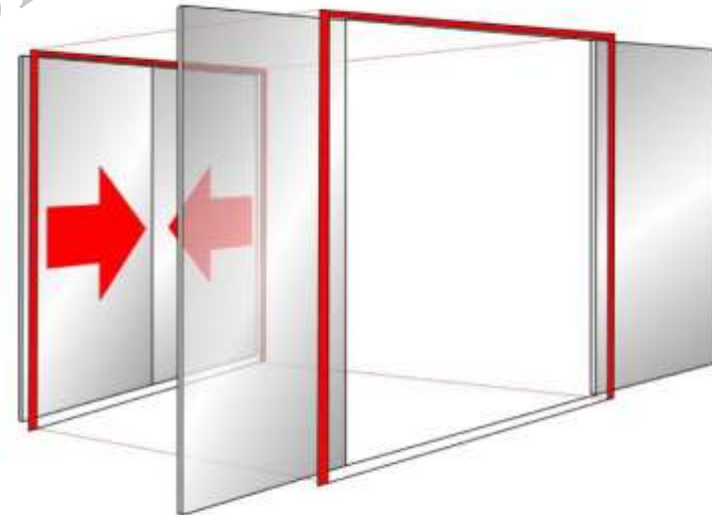
Internal system



External system



Earth/ground connection max. 10 m

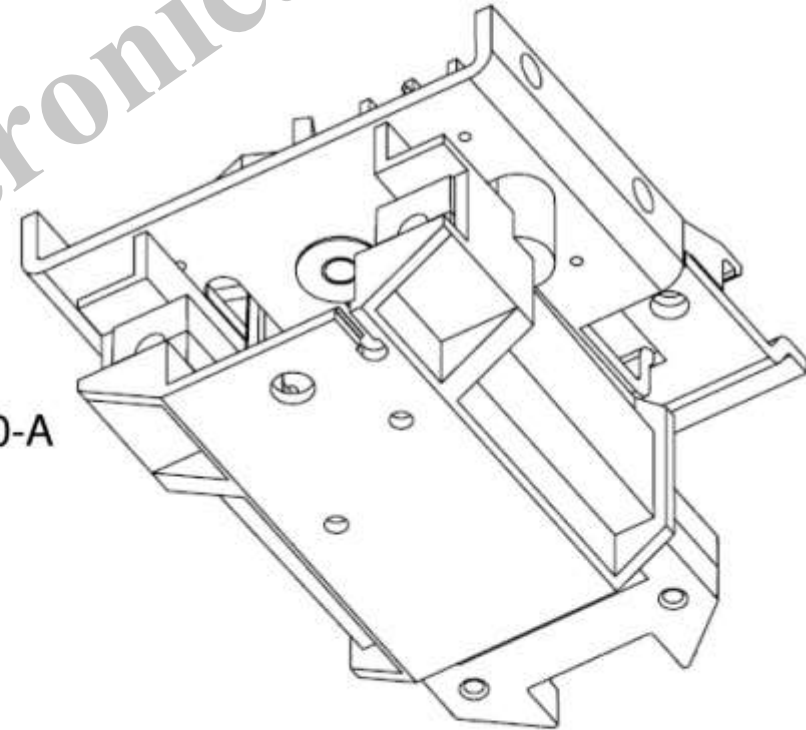


TORMAX Automatic Door Systems

T-1412 e	Module Documentation Lock Unit 2201	★★★★★ TORMAX AUTOMATIC TORMAX CH-8180 Bülach www.tormax.com info@tormax.com
Area of application	Win Drive 2201, 2201.FRW Sliding Door Drive from V05.xx	
Release	26. January 2011	
Use	Planning, installation, commissioning, maintenance	

Technical Data

Rated voltage of solenoid:	12 V DC
Maximum power of solenoid:	40 W
Loading of 24 VDC supply:	100 mA
Standard length of cable:	910 mm
Extension:	1400 mm
Maximal:	3710 mm
Ambient temperature:	-20 ... +50 C°
Interface:	MCU8-BASE-40-120-A

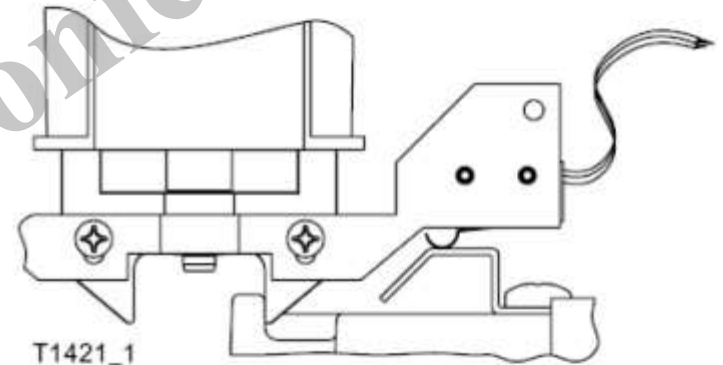


TORMAX Automatic Door Systems

T-1421 e	Module Documentation External Lock Monitoring	<p>★★★★★ TORMAX AUTOMATIC</p> <p>TORMAX CH-8180 Bülach www.tormax.com info@tormax.com</p>
Area of application	Win Drive 2201, 2201.FRW Sliding Door Drive from V05.xx	
Release	November 2010	
Use	Installation, operation	

Technical Data

Switching voltage	< 50V AC / DC
Switching contact	1 changeover contact, Ag
Switching current	< 5A
Temperature range	-40 to +85 °C



Intended Purpose

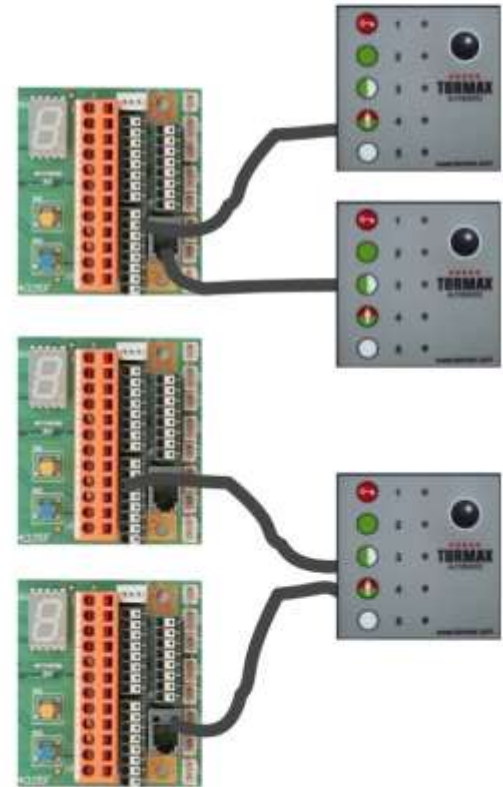
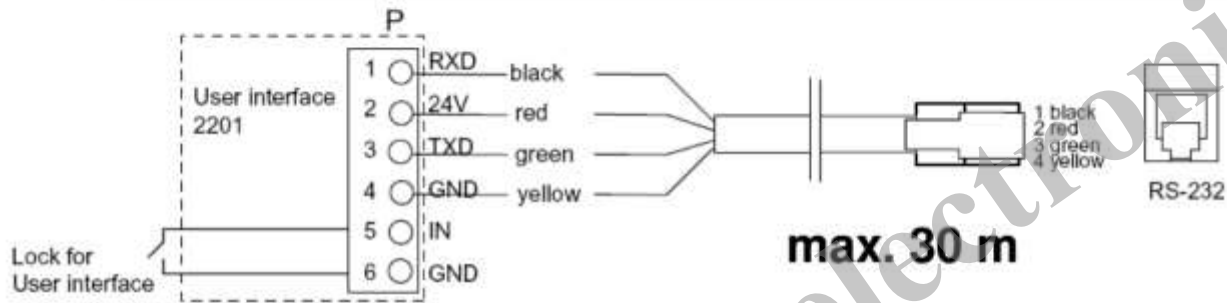
Potential-free feedback of door status “door closed and locked”
for external door monitoring systems independent of control unit and power supply.

Function

The micro-switch is situated on the lock cam. A feedback only occurs if the trolley and door leaves are in the locked position and the lock cam is inserted.

TORMAX Automatic Door Systems

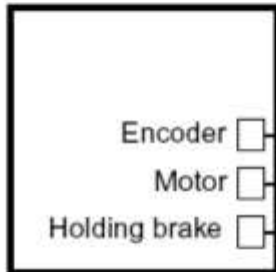
T-1414 e	Module Documentation User interface 2201	<p>★★★★★ TORMAX AUTOMATIC</p> <p>TORMAX CH-8180 Bülach www.tormax.com info@tormax.com</p>
Area of application	Win Drive 2201, 2201.FRW Sliding Door Drive from V05.xx	
Release	28 January 2011	
Use	Planning, installation, commissioning, maintenance	



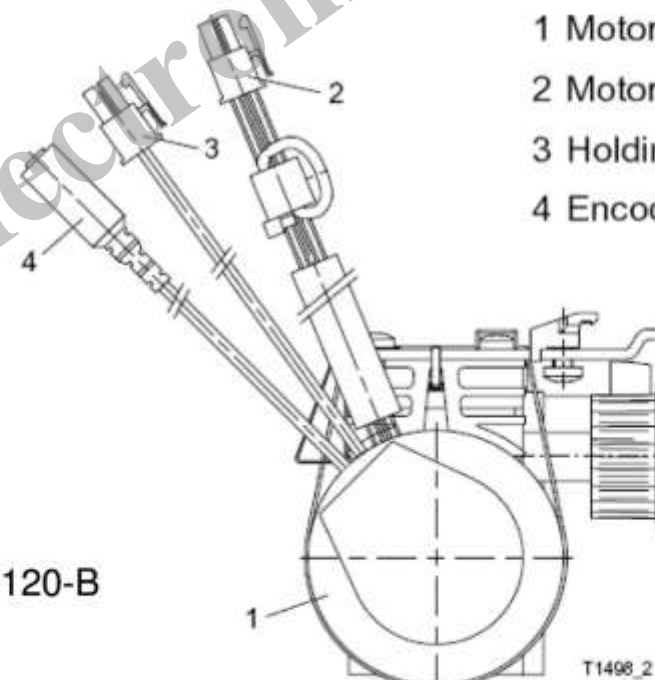
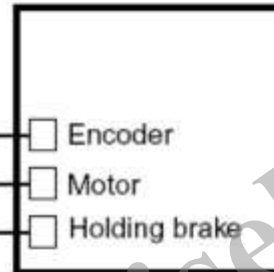
TORMAX Automatic Door Systems

T-1498 e	Module Documentation Motor Unit MCU8-MOBR-40-4-A	<p>★★★★★ TORMAX AUTOMATIC</p> <p>TORMAX CH-8180 Bülach www.tormax.com info@tormax.com</p>
Area of application	Win Drive 2201, 2201.FRW Sliding Door Drive	
Release	9. March 2011	
Use	Planning, installation, commissioning, maintenance	

Basic module



Motor unit



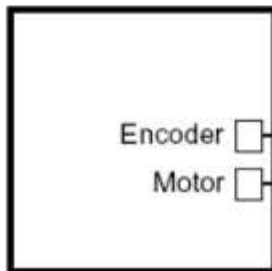
Technical Data

Rated voltage	24 V DC
Maximum current	4.9 A (S3)
Torque	4 Nm (S3)
Ambient temperature	- 20 ... +50 °C
Overtemperature protection	100 °C ± 5 K
Interfaces	MCU8-BASE-40-120-B
Toothbelt	12 mm
Toothbelt module	5 mm
Gear ratio	10.25 : 1

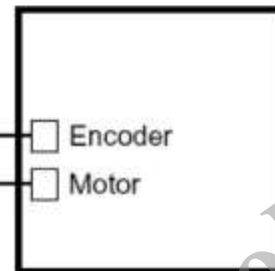
TORMAX Automatic Door Systems

T-1497 e	Module Documentation Motor Unit MCU8-MOTR-40-4-A	<p>★★★★★ TORMAX AUTOMATIC</p> <p>TORMAX CH-8180 Bülach www.tormax.com info@tormax.com</p>
Area of application	Win Drive 2201, 2201.FRW Sliding Door Drive	
Release	9. March 2011	
Use	Planning, installation, commissioning, maintenance	

Basic module



Motor unit



Encoder

Motor

Encoder

Motor

1 Motor

2 Connector Motor

3 Connector encoder

Technische Daten

Nennspannung 24 V DC

Maximalstrom 4,9 A (S3)

Drehmoment 4 Nm (S3)

Umgebungstemperatur - 20 ... +50 °C

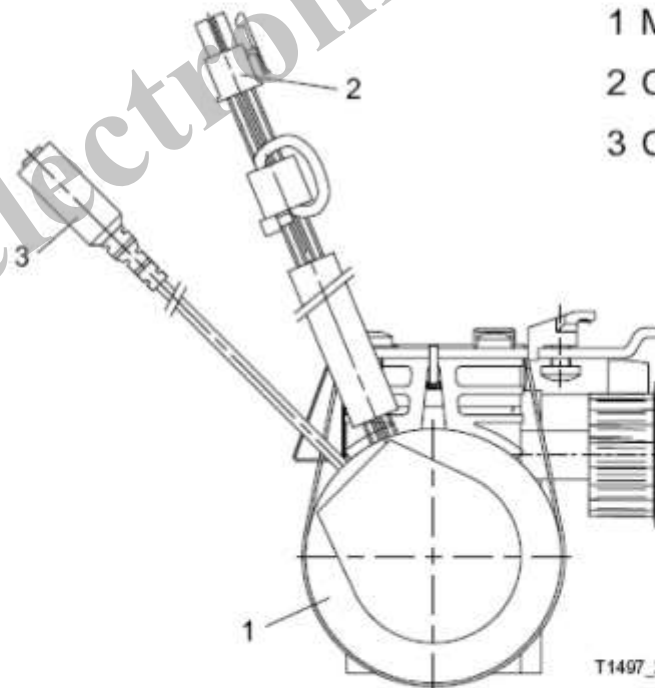
Übertemperaturschutz 100 °C ± 5 K

Schnittstellen MCU8-BASE-40-120-B

Zahnriemen 12 mm

Zahnriemen Modul 5 mm

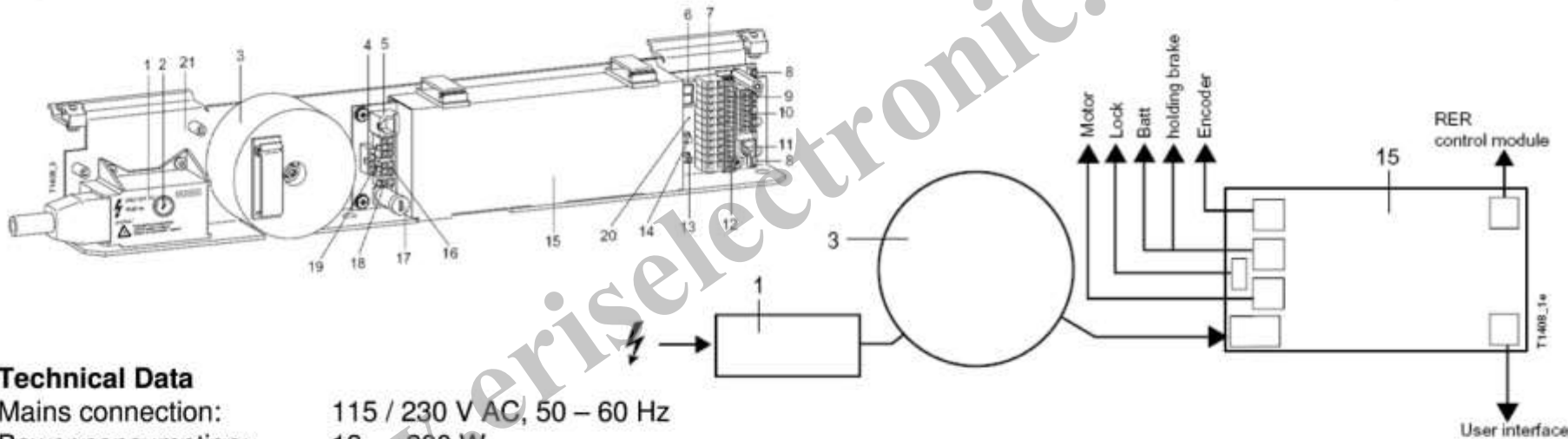
Getriebeübersetzung 10,25 : 1



T1497_2

TORMAX Automatic Door Systems

T-1408 e	Module Documentation	<p>★★★★★ TORMAX AUTOMATIC</p> <p>TORMAX CH-8180 Bülach www.tormax.com info@tormax.com</p>
	Control Unit MCU8-CONU-85-B	
Area of application	Win Drive 2201, 2201.FRW Sliding Door Drive from V05.xx	
Release	10 January 2011	
Use	Planning, installation, maintenance	



Technical Data

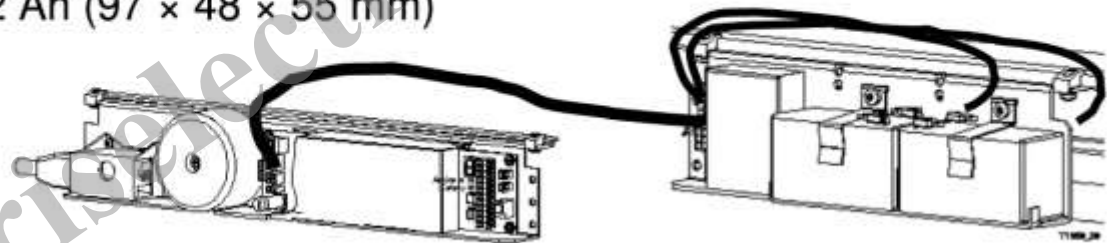
- Mains connection: 115 / 230 V AC, 50 – 60 Hz
- Power consumption: 13 ... 200 W
- Power supply sensors: 24 V DC (+0,5 –1.5V), / 1 A, on battery operation min. 16.5 V
- Ambient temperature: –20 to +50 C°
- Module interfaces:
 - Motor unit 2201 MCU8-MOTU-40-4-A
 - Motor unit with brake 2201 MCU8-MOBU-40-4-A
 - Battery unit 2201 MCU32-BATU-24-1-D
 - Lock unit 2201 MCU8-LOCU-40-7-A
 - Lock unit 2201 TLP MCU8-LOCU-40-7-B
 - RS 232 user interface MCU8-USIN-5-A

TORMAX Automatic Door Systems

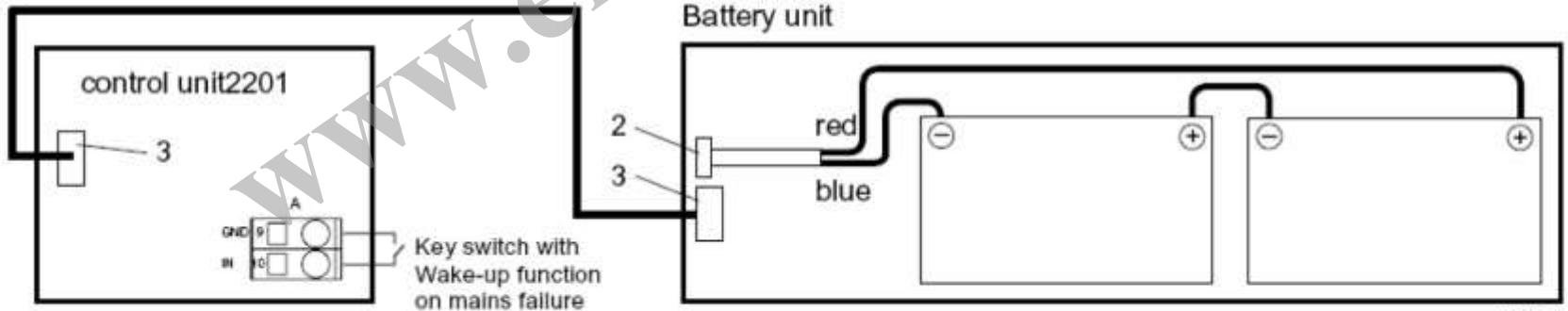
T-1411 e	Module Documentation Battery Unit MCU32-BATU-24-1-D	<p>★★★★★ TORMAX AUTOMATIC</p> <p>TORMAX CH-8180 Bülach www.tormax.com info@tormax.com</p>
Area of application	Win Drive 2201, 2201.FRW Sliding Door Drive	
Release	12 January 2011	
Use	Planning, installation, commissioning, maintenance	

Technical Data

Rated voltage: 24 VDC
 Maximum power: 120 W
 Batteries: 2 × 12 V / 1,2 Ah (97 × 48 × 55 mm)
 Ambient temp.: 0 ... +40 °C
 Charging time: ≤ 48 hours



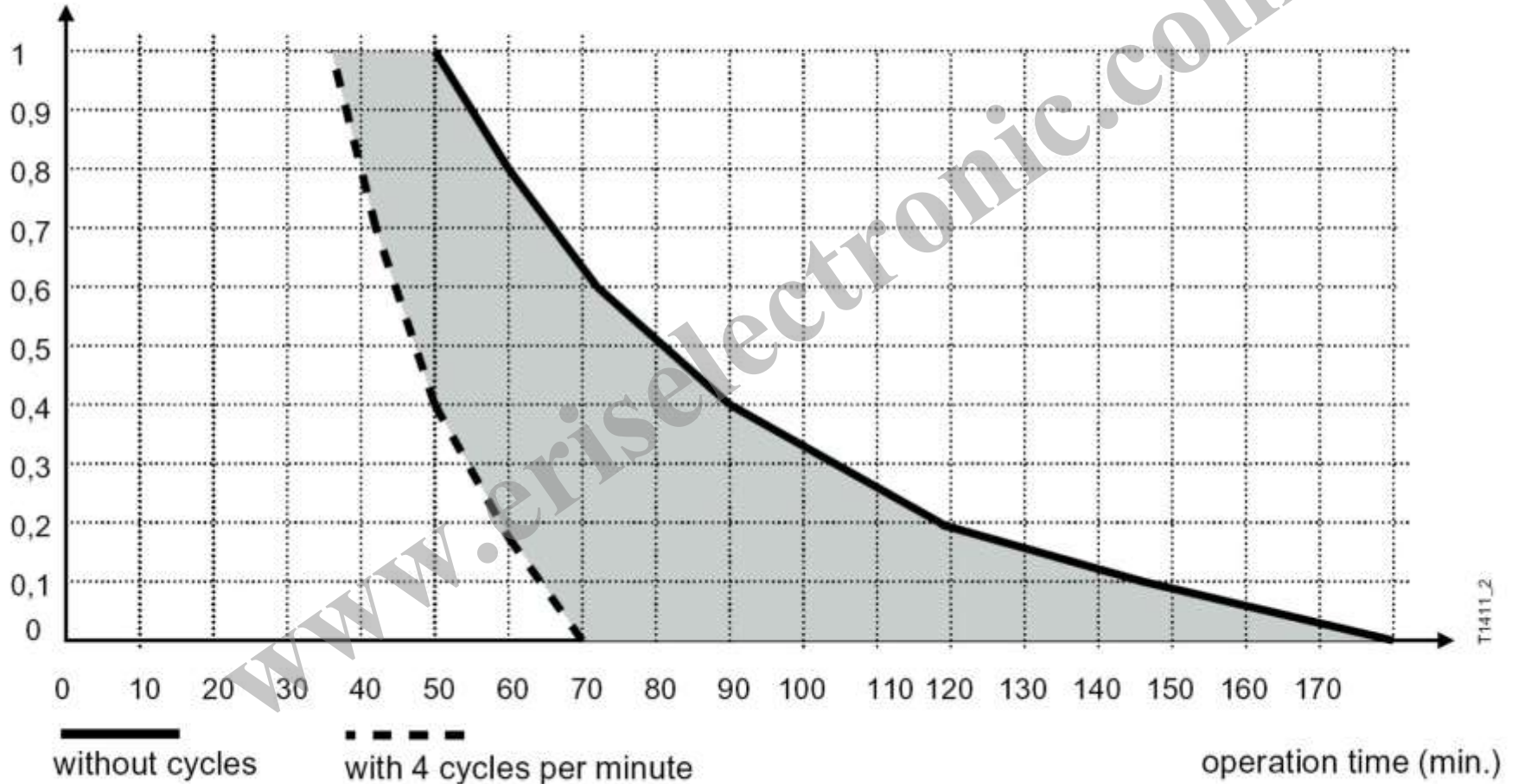
Connection Diagram



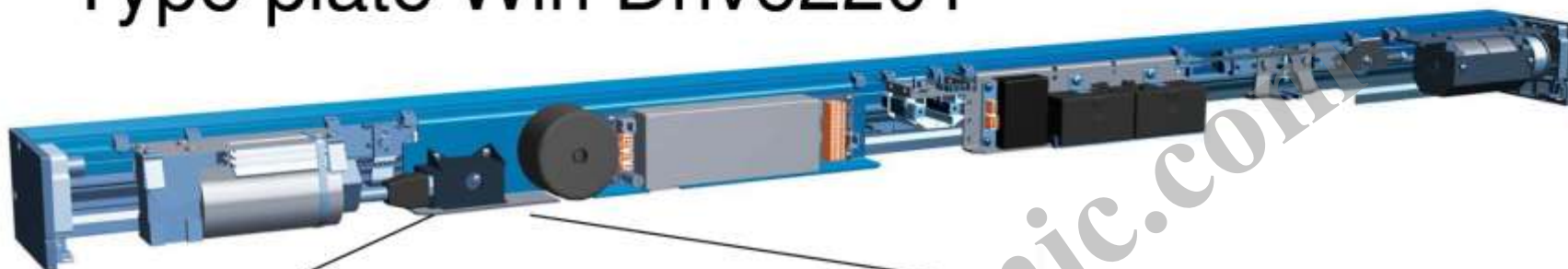
T1411_4a





Capacity battery module

Load on 24V for sensors (A)



Type plate Win Drive2201



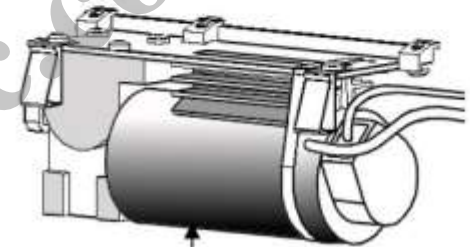
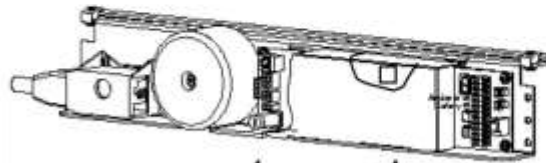
	Landert Motoren AG CH-8180 Bülach Neusäss Plant ISO 9001 Reg.No.11185										
	Model: Win Drive 2201 Sliding Door Drive										
DIN 18650-1:2010		<table border="1"> <tr> <td>2</td> <td>3</td> <td>2</td> <td>0</td> <td>123</td> <td>0</td> <td>4</td> </tr> </table>			2	3	2	0	123	0	4
2	3	2	0	123	0	4					
Un: 230/115V AC 50-60Hz		IP 22		Serial No.: 							
Pmax.: 200W	Imax.: 0.9/1.9A	Pedestrian Door Operator									
Pmin.: 13W	Imin.: 0.1/0.2A	Manufactured: 03/2010									
Weight of door leaves: <120kg (1leaf), <100kg (2leaves)											

Identification of Win Drive components

- Control

Software

Motor



0 04 19 65 001 15
year week serial no.

control type

Check digit

D-65-060118 V2.2

year

week day

main- and subversion

control type

010396 3

serial no.

check-digit

Basic-Print Version

